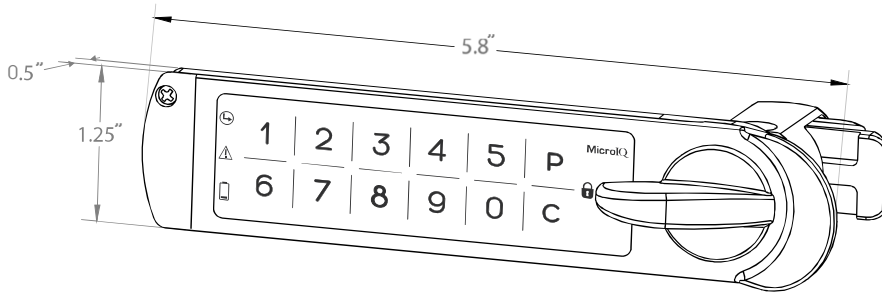


MicroIQ Prox™

RFID Self Latching

RWL
series



Installation and Set up

- Wireless installation takes less than 5 minutes
- Easily learn in hundreds of Prox cards and smartphones
- Assign access parameters for each lock, employee, group and location
- Fits into standard double-D key lock holes
- Secured coin cell battery is conveniently accessed from the outside of the lock
- Operates in station mode (repeated use)

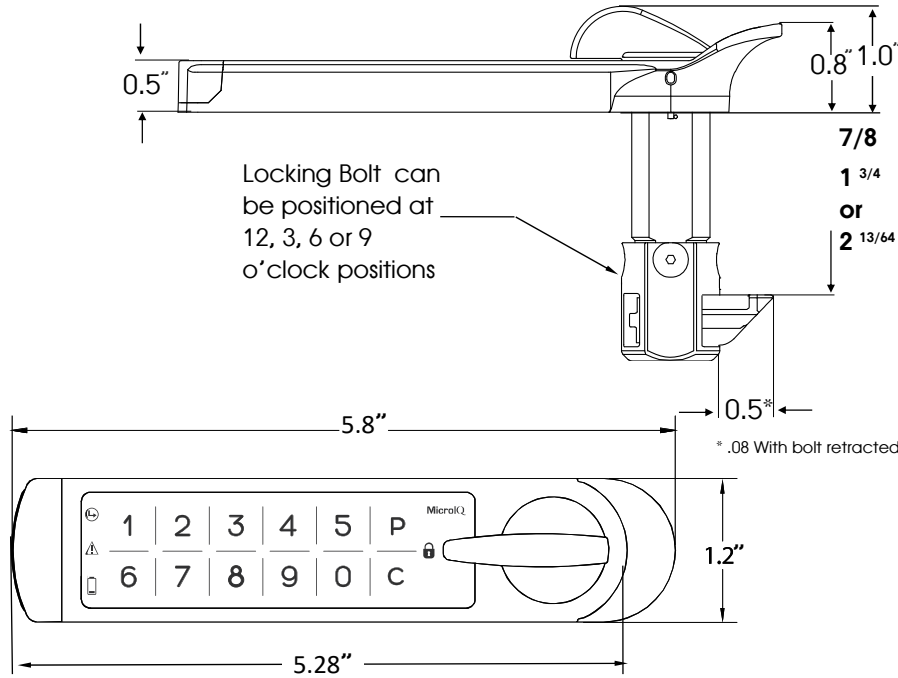
Technology

- Access with your existing RFID cards, fobs, stickers, or smartphone
- Manage access with ProxTraq, and MobileTraq apps/portals
- Enterprise security administration from a single app/portal
- Generate audit trails to track user activity and lock/unlock attempts
- Remote enrollment of RFID cards and smartphones

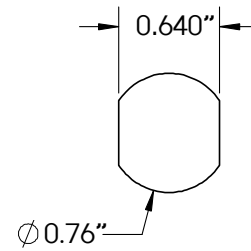
Specifications

Dimensions: 5.38" w x 0.5" d x 1.25" h	Power: CR2450 coin cell battery
Network data communication: Wireless	Battery life: 1-2 years
Compatible Proxcards: All common standards including 125KHz (HID Prox and Prox II, HID Indala, AWID, Keri, Ving Card, COTAG, ioProx, Honeywell, Alarm Lock, ELK, EM, Everfocus, Farpoint, IEL, Kantech, Paradox, Secura Key, Visonic, Best) and 13.56MHz (ISO/IEC 14443A & B, 15693 Standards including, iClass, MIFARE, DESFire, TagIt, ICode)	Operating modes: (1) <u>Station Mode:</u> The lock is accessed by one or more users repeatedly. The lock memory retains codes until these codes are intentionally erased or replaced.
# of Users: Each lock can store hundreds of users	Keypad: 10 Digit
Levels of access: master (6 digits), supervisor (3-6 digits), and user (3-6 digits)	Operating temperature: 32° - 122° F
Locking Mechanism: 4 position adjustable spring bolt, push to close with automatic latching	Storage temperature: 14° to 158° F
Shell length: 7/8", 1-3/4", and 2-13/64"	Operating moisture: 20% - 80% Rh
Knob rotation: 90 degrees clockwise or counterclockwise	Interference: Immune to physical shock and magnetic field
Locking position: self-locking	Cleaning: withstand bleach and chemical cleaners

Mounting details:

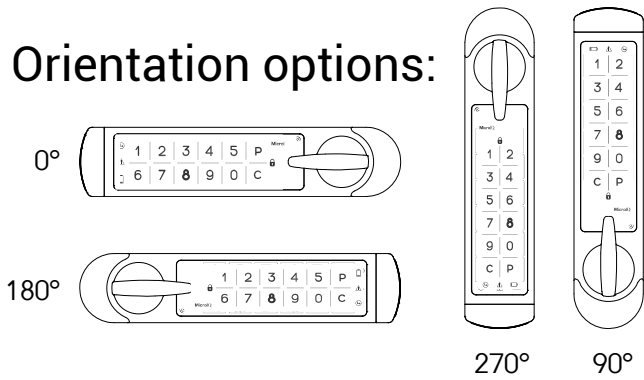


MOUNTING HOLE DETAIL

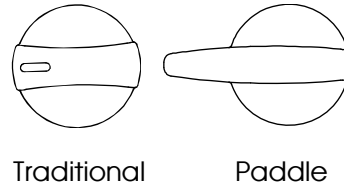


Flats can be parallel or perpendicular to the lock.

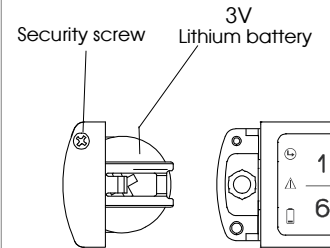
Orientation options:



Knob options:



Power:



Lock management via ProxTraq and cloud database:

